


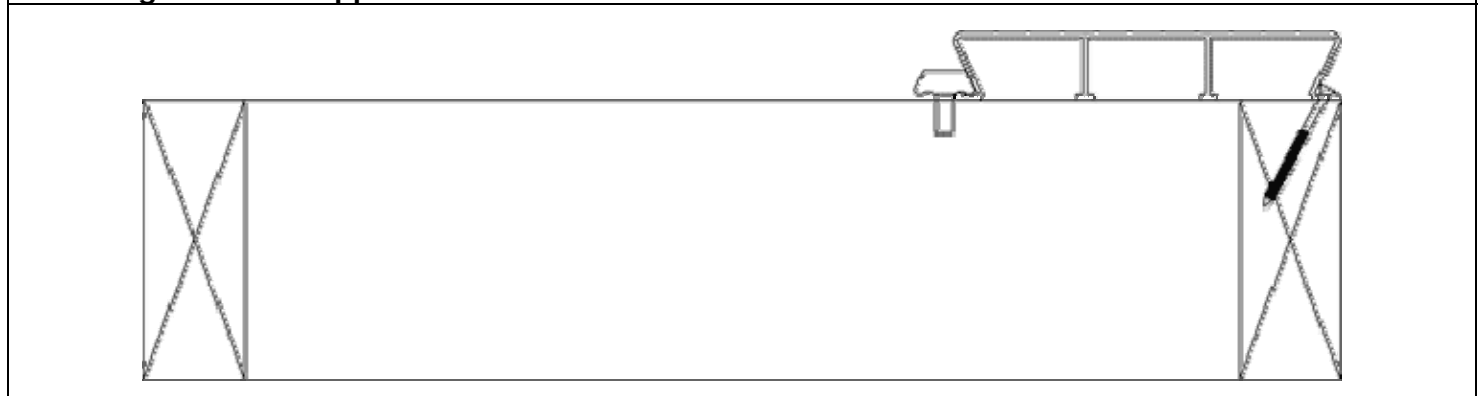


# Installation Instructions

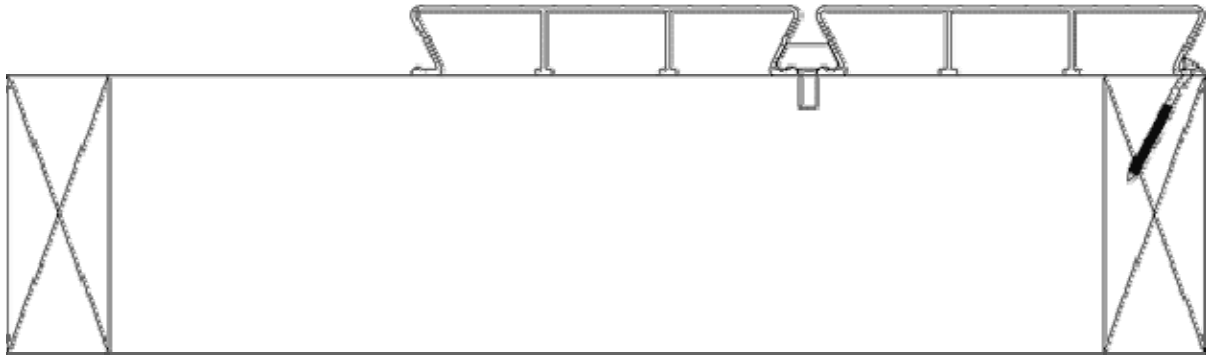
Tools and Materials Needed	
Required	Specifications
<ul style="list-style-type: none"> <li>- Tape Measure</li> <li>- Carpenters' Pencil</li> <li>- Sheet Metal Snips or Hacksaw</li> <li>- 3/8" Drive Power Drill</li> <li>- 3/16" Drill Bits</li> <li>- #1 Square Drive Bit 2" Long Min. – Round Shank</li> <li>- #2 Square Drive Bit</li> </ul> <p><b>Optional- May Be Required</b></p> <ul style="list-style-type: none"> <li>- Sawzall or Jigsaw</li> <li>- Miter Saw</li> <li>- Non-Ferrous Saw Blades</li> </ul>	<ul style="list-style-type: none"> <li>Board Lengths – 12', 16', 20' &amp; 24'</li> <li>Board Height – 1"</li> <li>Board Width – 5 3/4"</li> <li>Center to Center Clip Spacing – 6"</li> <li>Deck Board Gap – 1/4"</li> <li>Fastener Size - #7 x 2" Stainless #1 Square Drive</li> <li>Edge Trim Fastener - #10 x 3/4" #2 Square Drive</li> <li>Maximum Joist Spacing – 24" on center</li> </ul>
Useful Part Numbers	
	DeWalt® DW3217 - 10" 80T Non-Ferrous Metal Cutting Blade or equivalent
	DeWalt® DW3229 - 12" 80T Non-Ferrous Metal Cutting Blade or equivalent
	Fastenal Part No: 0235287 - #1 Square Recess 1/4"Hex Power Drive Bit or equivalent



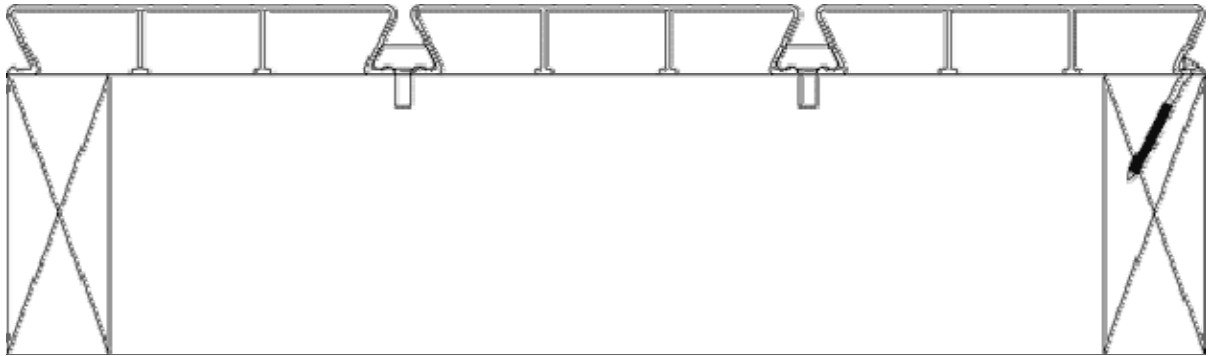
**Step 1: Layout the first decking plank squaring it with the deck framing and house. Pilot drill only the outer leg of the aluminum with a 3/16" bit aligned with each joist location. Fasten the outer leg with the supplied screws.**



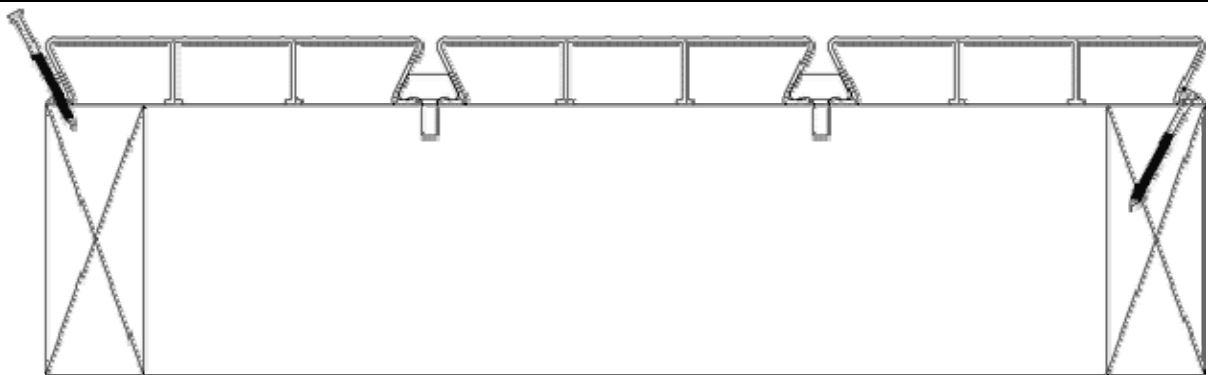
**Step 2: Place the plastic clips at each joist location angling them upwards to ease installation of the next decking plank. The legs of the clip can be broken off for flat surface mounting.**



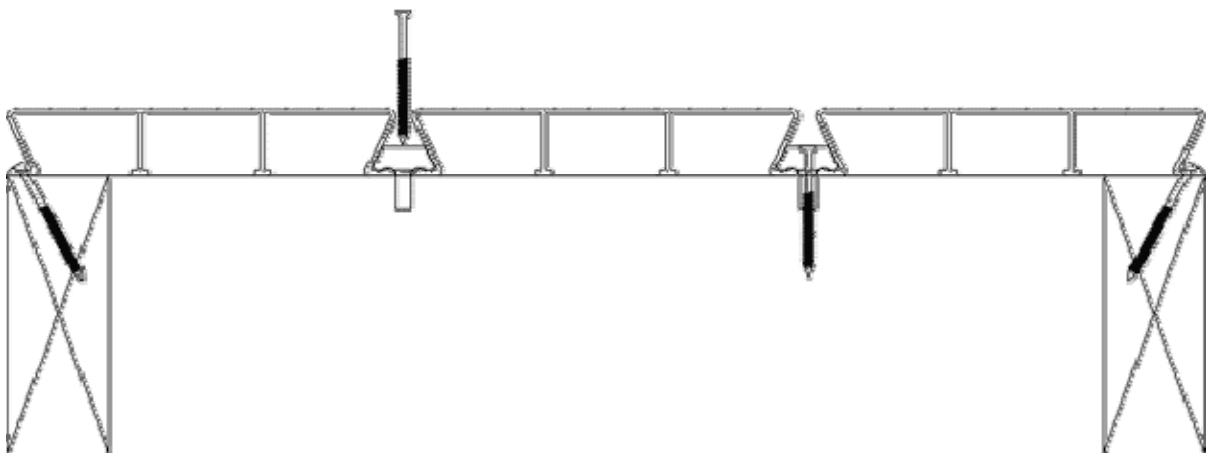
**Step 3: Slide the next plank under the clip snugly against it.**



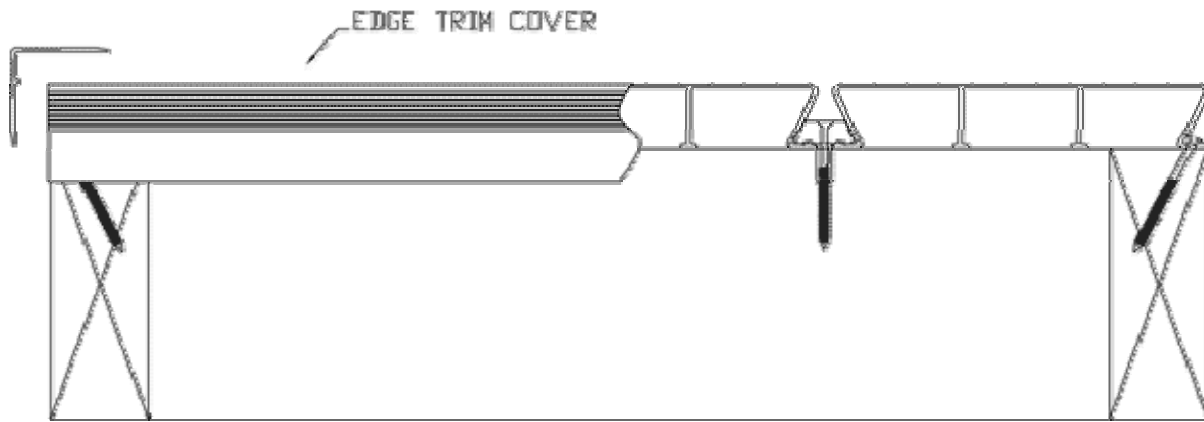
**Step 4: Repeat steps 2-3 for the remainder of the decking planks. It is optional to fasten the clips as you go. The clips do allow for some adjustments allowing you to gap the board farther if needed.**



**Step 5: Predrill the outer leg with a 3/16" drill bit at each joist location. Fasten the outer leg with the supplied screws.**

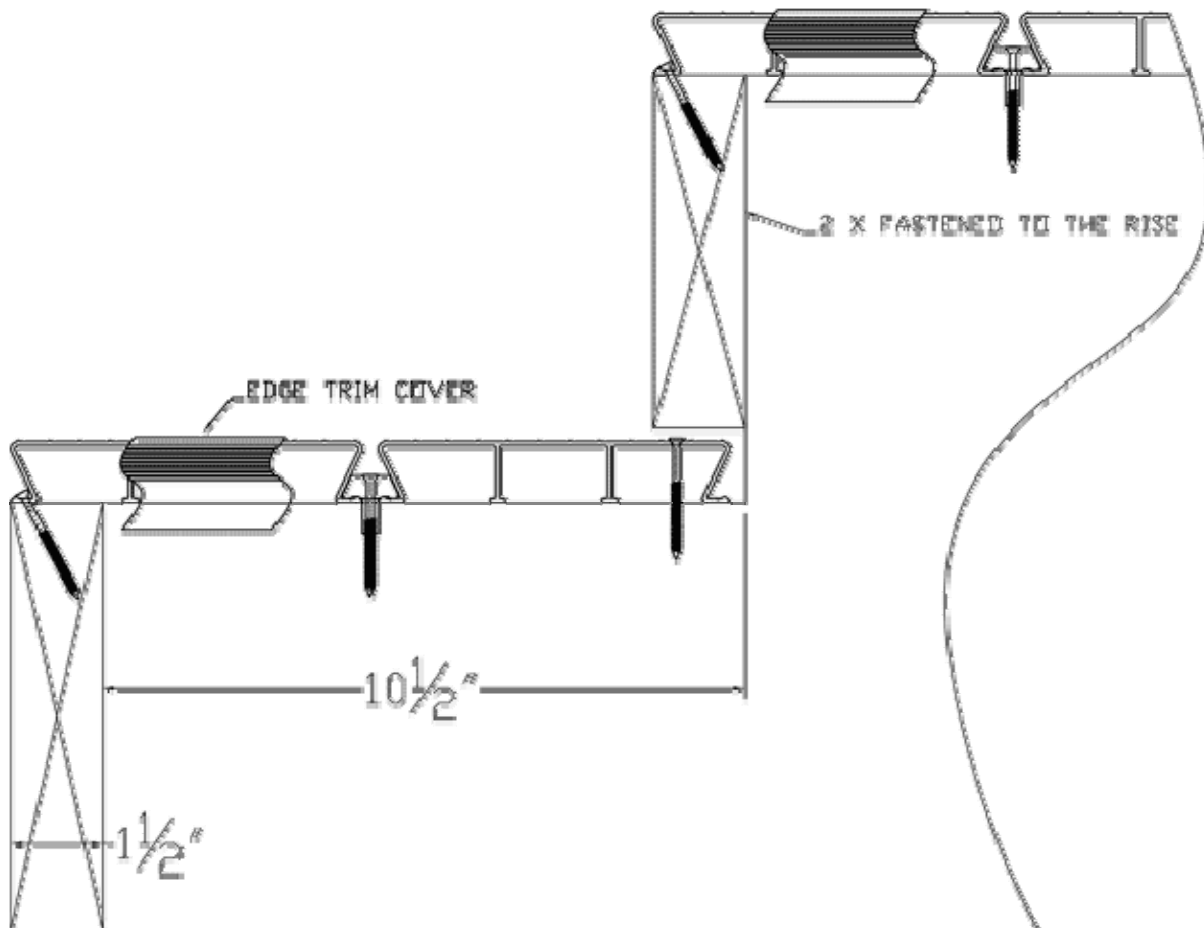


**Step 6: Fasten all the clips to the joist.**



**Step 7: Install the edge trim on the open sides of the deck. Fasten the trim through the top with the supplied #10 x 3/4" self drilling screws.**

### Typical Step Tread Installation



Typical stringers are cut for a 10 1/2" run. 2 NextDeck™ boards when assembled will give you an overall width of 11 3/4". Fastening a 2 X board to the rise of the steps will increase the run of the step for easier installation. The edge trim cover can be used to trim out the perimeter of the step for a finished look. If you are cutting out your own stringers, a 12" run will eliminate the addition of the riser board.

FSI Home Products, Inc.  
1213 26<sup>th</sup> Street SW  
Cullman, AL 35055

1-888-739-6172  
Fax: 256-739-6173  
www.nextdeck.com